

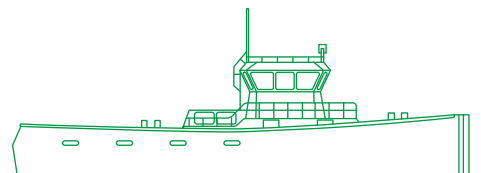


مبارك البحرية  
Mubarak Marine



## Captain Mallahi Harbour tug

At just over 17 m in length, this highly manoeuvrable harbour tug is powered by two 330 bhp marine diesel engines, has a bollard pull of 6 tons, and accommodation for a crew of four.



## Registration

Year of build	1999
Builder	Dubai Ship Building & Engineering
Port of registry	Dubai
Flag	UAE
Official number	4563
Call sign	A6E2589
Class	Tasneef
Operator	Mubarak Marine LLC

---

## Dimensions

Length overall	17.2 m
Length BP	15.5 m
Breadth	4.9 m
Depth	2.7 m
Draft	2 m

---

## Machinery/propulsion

Main engines	Scania 6 Cylinder
Horse power	2x 330 HP @ 2100 rpm
Gears	2x Reintjes GM type WAV
Generator 1	Perkins A651040 (40 KVA)
Generator 2	Perkins 1103A -33G (30 KVA)
Propellers	2x 54"
Battery	4x engine starting, 1x lightning
Pump	Bilge, fire and freshwater + supply fresh water

---

## Tonnage

GRT	39 t
NRT	12 t

---

## Performance

Cruising speed	11 knots
Displacement	62 mt
Bollard pull	6.2 mt
Quick release hook	Yes

---

## Fuel consumption

Towing/full load	240 imp gal
Free running	144 imp gal
Fresh water consumption	0.7 mt

---

## Navigation/communication equipment

Magnetic compass	1x Nexus
GPS	1 x Haiyang HGP 430
GPS (AIS system)	1x Camino
Radar	1x Icom MR-1000
Echo sounder	1x JMC V6202
VHF	1x Horizon HX370S
VHF (fixed)	1x Sailor RT2048
Search light	1 no
Public address	SSB 45 em (Ahuja)
Navitex receiver	(Saracom)
Mobile number	+971 52 903 3582

---

## Capacities

Fuel oil	2850 imp gal
Fresh water	10 mt

---

## Lifting/handling

Crane	Atlas telescopic hydraulic crane of 1.9 t lift @ 4.5 m reach
-------	--

---

## Deck equipment

Towing hook	1x 10 t SWL
-------------	-------------

---

## Firefighting/safety equipment

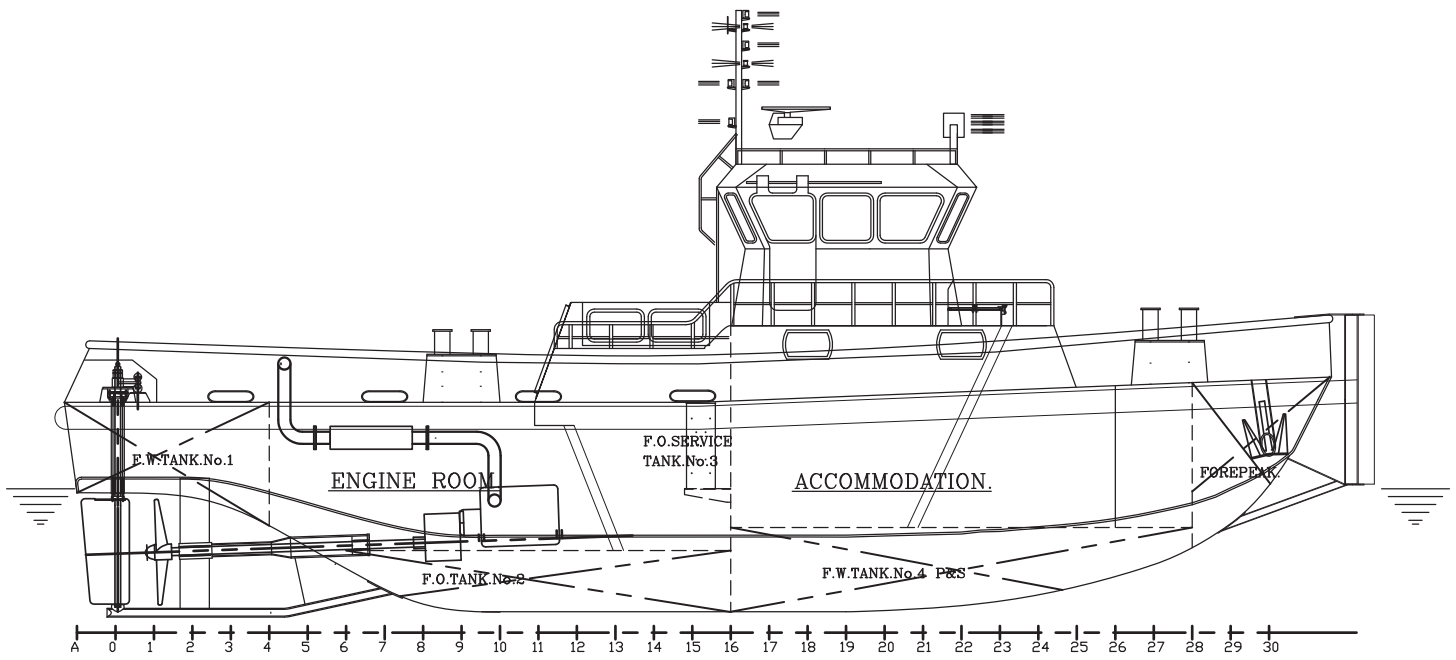
Life rafts	1x 6 persons
Life buoys	3 nos
Life jackets	4 nos
Life ring	2 nos
Fire extinguisher	7 nos
Fire hydrant	3 nos
Fire hoses	3 nos
Fire pump	1 no
Fire detectors	5 nos
Portable fire pump	1 no

---

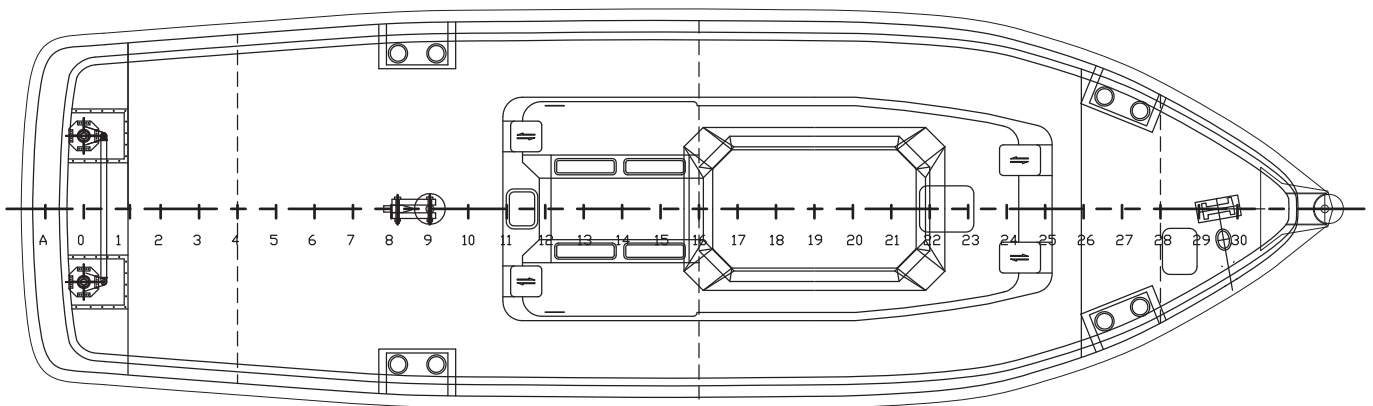
## Accommodation

Total	4 berths
-------	----------

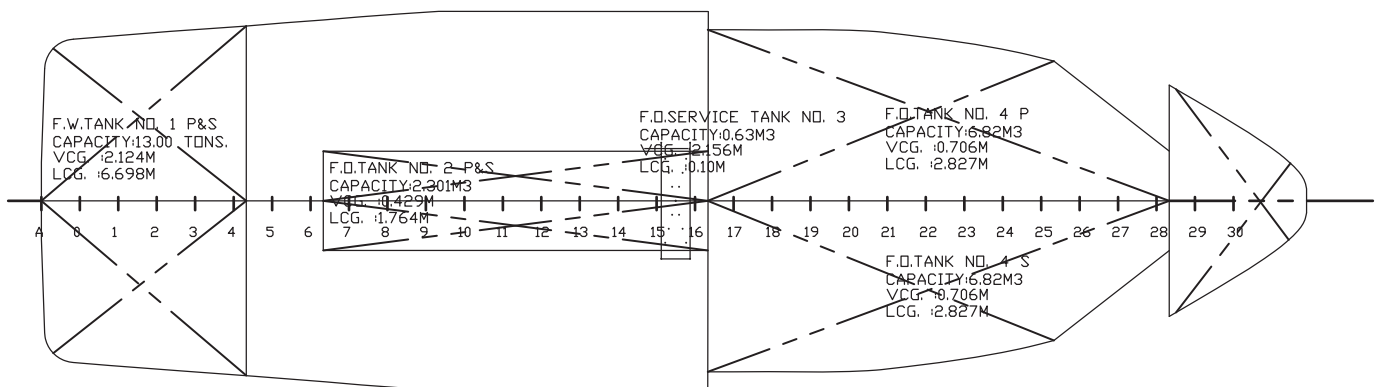
---



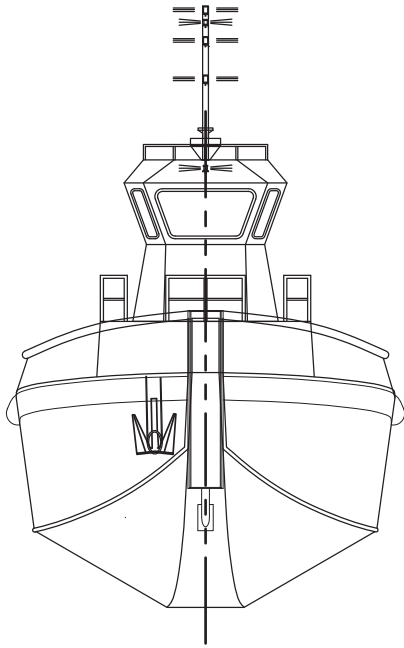
Outboard profile



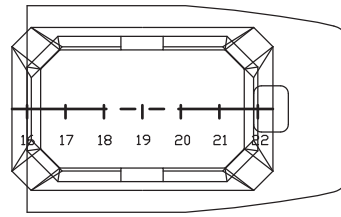
Main deck plan



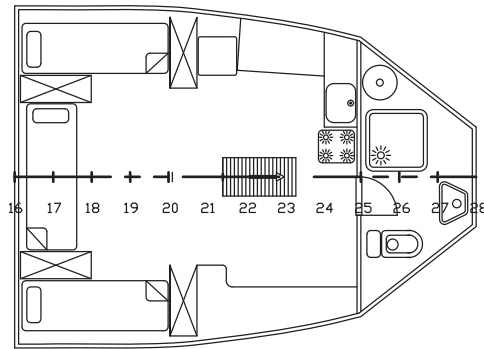
Tank plan



Fore view



Wheelhouse top



Accommodation